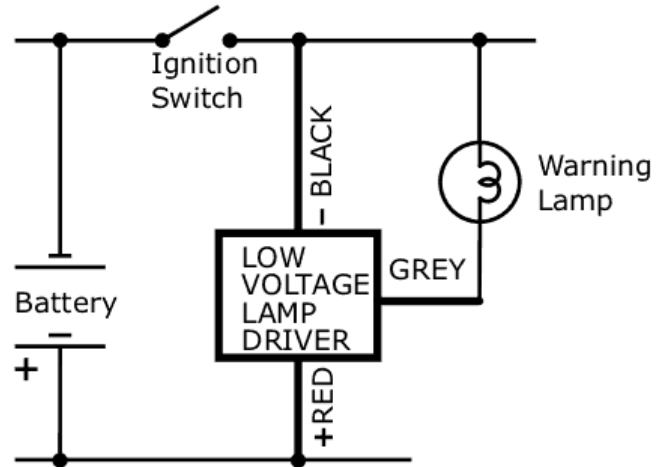


**Part number: 102A1**

The Low Voltage Lamp Driver is designed to provide feedback regarding the charging system of a 12V battery. A warning lamp (not included) will illuminate when the system voltage falls below the normal rest voltage of a charged lead-acid battery.

The device includes a precision voltage reference, operational amplifier and protected high-side driver, all integrated into a small potted box. The device is small and light enough to be easily inserted into a wiring loom or cable tied to it.



**Specification:**

Warning Lamp OFF	12.6V (rest voltage of charged battery)
Warning Lamp ON	12.1V
Default switch-on state:	Warning Lamp ON
Maximum voltage:	30V
Reverse polarity protected.	YES (warning lamp will be ON)
Lamp over-current protected.	YES (only with correct polarity)
Quiescent current (excluding lamp):	6mA (Lamp-ON) / 3mA (Lamp-OFF)
Maximum current:	3A
Size	20 x 20 x 15 mm